



PTACS

PACKAGED TERMINAL AIR CONDITIONERS



SLEEK DESIGN & QUALITY PERFORMANCE
FOR YOUR NEW CONSTRUCTION OR RETROFIT PROJECTS



WELCOME TO YOUR PERFECT AIRE® PTAC SOLUTION.

OUR FULL RANGE OF PACKAGED TERMINAL AIR CONDITIONERS

combine an Energy Efficiency Ratio (EER) as high as 11.9, AHRI certification and UL listing. With multiple heating and cooling temperature range options, facility owners can optimize user comfort while reducing energy consumption.

PTAC FEATURES

- Sleek Design
- Easy Operation
- Energy Efficient
- Quality Performance
- Low Profile Footprint
- Non-Ozone Depleting Refrigerants



208/230V AIR CONDITIONER
WITH ELECTRIC HEAT


		1PTC07A-3.5	1PTC09A-3.5	1PTC12A-3.5	1PTC12A-5.0	1PTC15A-3.5	1PTC15A-5.0
UPC		8-4219-02430-7	8-42149-02431-4	8-42149-02432-1	8-42149-02433-8	8-42149-02434-5	8-42149-02435-2
POWER SUPPLY (V,HZ,Ph)		230-208,60,1	230-208,60,1	230-208,60,1	230-208,60,1	230-208,60,1	230-208,60,1
COOLING	CAPACITY (Btu/h)	7,300/7,100	9,200/9,000	12,000/11,800	12,000/11,800	14,700/14,500	14,700/14,500
	INPUT (W)	613/596	814/796	1,121/1,102	1,121/1,102	1,547/1,526	1,547/1,526
	Current (A)	2.7/2.88	3.54/3.83	4.88/5.3	4.88/5.3	6.73/7.34	6.73/7.34
	EER (Btu/h)/(W)	11.9	11.3	10.7	10.7	9.5	9.5
HEATING (PTC)	CAPACITY (Btu/h)	10,900/8,900	10,900/8,900	10,900/8,900	15,000/12,200	10,900/8,900	15,000/12,200
	INPUT (W)	3,519/2,850	3,519/2,850	3,519/2,850	4,769/3,953	3,519/2,850	4,769/3,953
	CURRENT (A)	15.3/13.7	15.3/13.7	15.3/13.7	22/19.7	15.3/13.7	22/19.7
MOISTURE REMOVAL (L/h)		0.8	1	1.2	1.2	1.5	1.5
AIRFLOW (CFM) (Hi/Mi/Lo)		417/405/382	435/417/394	405/394/382	405/394/382	388/376/364	388/376/364
INDOOR NOISE LEVEL dB(A) (Hi/Mi/Lo)		50/48/46	50/48/46	52/49/46	52/49/46	53/50/45	53/50/45
OUTDOOR NOISE LEVEL dB(A) (Hi)		61	63	66	66	66	66
WEIGHT (Net/Gross) (lbs.)		99.2/123.5	104.7/130.1	115.7/141.1	115.7/141.1	117.9/143.3	117.9/143.3
PLUG TYPE (A)		20	20	20	30	20	30


MODEL NUMBER KEY (Example: 1PTC12A-5.0)

1 = Generation 1	H or C = Heat Pump or A/C	A or B = Power Supply A = 208/230V B = 265V
PT = Packaged Terminal AC	07, 09, 12, or 15 = Btu Rating	3.5 or 5.0 = kW (Electric Heat Assist)

PERFECT AIRE PTACs—ONE OF THE BEST OVERALL VALUES ON THE MARKET—PROVIDE **COMFORT, ENERGY EFFICIENCY, CONVENIENCE, AND RELIABILITY.**


RELIABILITY

 **COMPRESSOR RESTART DELAY**
Extends overall compressor life by providing a minimum three-minute delay allowing equalization of refrigerant pressures and optimized cycling preventing compressor short-cycling


 **AUTOMATIC EVAPORATOR FREEZE PROTECTION**
To keep evaporator from freezing if evaporator temperature is too low, the compressor is automatically switched off and indoor fan is switched on—once evaporator temperature is normalized this function turns off

 **HIGH TEMPERATURE PROTECTION IN HEATING OPERATION**
If indoor temperatures are too high or there is an error in the indoor temperature sensor the compressor and (or) Electric Heat Assist will be switched off preventing damage


COMFORT

 **AUTOMATIC QUICK WARM-UP (HEAT PUMP MODELS ONLY)**
If the room temperature falls below the SET POINT temperature by approximately 8° F/ 4.5° C the reverse cycle heat is shut off and electric strip heat is turned on for one cycle until heating is within set point range

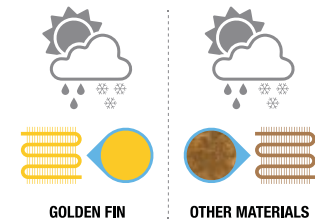
CONVENIENCE

 **MEMORY FUNCTION**
If power is interrupted or lost during operation, all function settings at the time of power loss will be remembered and unit will return to previous settings when power is restored

ENERGY SAVING

 **ATOMIZED CONDENSATE DISPERSION**
Cooling efficiencies are increased through rapid evaporation as the fan blade throws water onto the outdoor condenser coil removing condensation

 **GOLDEN FIN**
Anticorrosive condenser coating withstands salty air, rain and other corrosive elements while improving heating efficiency by accelerating defrosting process



208/230V HEAT PUMP WITH ELECTRIC HEAT

		1PTH07A-3.5	1PTH09A-3.5	1PTH12A-3.5	1PTH12A-5.0	1PTH15A-3.5	1PTH15A-5.0
UPC		8-42149-02436-9	8-42149-02437-6	8-42149-02438-3	8-42149-02439-0	8-42149-02440-6	8-42149-02441-3
POWER SUPPLY (V,HZ,Ph)		230-208,60,1	230-208,60,1	230-208,60,1	230-208,60,1	230-208,60,1	230-208,60,1
COOLING	CAPACITY (Btu/h)	7,200/6,800	9,000/8,800	12,000/11,800	12,000/11,800	14,700/14,500	14,700/14,500
	INPUT (W)	610/576	796/778	1,142/1124	1,142/1,124	1,531/1,510	1,531/1,510
	CURRENT (A)	2.65/2.75	3.46/3.75	4.97/5.4	4.97/5.4	6.66/7.26	6.87/7.5
	EER (Btu/h)(W)	11.9	11.3	10.5	10.5	9.6	9.6
HEATING (Heat Pump)	CAPACITY (Btu/h)	6,000/5,800	8,100/7,900	10,800/10,500	10,800/10,500	13,500/13,200	13,500/13,200
	INPUT (W)	517/500	716/699	990/963	990/963	1323/1294	1,323/1,294
	CURRENT (A)	2.25/2.41	3.04/3.28	4.3/4.63	4.3/4.63	5.74/6.2	5.74/6.2
	COP (W/W)	3.4	3.4	3.2	3.2	3	3
HEATING (PTC)	CAPACITY (Btu/h)	10,900/8,900	10,900/8,900	10,900/8,900	15,000/12,200	10,900/8,900	15,000/12,200
	INPUT (W)	3,519/2,850	3,519/2,850	3,519/2,850	4,769/3,953	3,519/2,850	4,769/3,953
	CURRENT (A)	15.3/13.7	15.3/13.7	15.3/13.7	22/19.7	15.3/13.7	22/19.7
MOISTURE REMOVAL (L/h)		0.8	1	1.2	1.2	1.5	1.5
AIRFLOW (CFM) (Hi/Mi/Lo)		429/405/370	435/417/394	435/423/411	435/423/411	423/405/394	423/405/394
INDOOR NOISE LEVEL dB(A) (Hi/Mi/Lo)		50/48/46	50/48/46	53/50/45	53/50/45	53/50/45	53/50/45
OUTDOOR NOISE LEVEL dB(A) (Hi)		61	61	66	66	66	66
WEIGHT (Net/Gross) (lbs.)		101.4/126.8	106.9/132.3	117.9/143.3	117.9/143.3	120/145.5	120/145.5
PLUG TYPE (A)		20	20	20	30	20	30

WHETHER YOUR PROJECT IS NEW CONSTRUCTION
OR A RETROFIT REQUIREMENT,
**PERFECT AIRE® HAS THE
PTAC SOLUTION FOR YOU.**

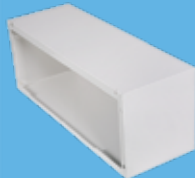
ACCESSORIES

Customize the unit to fit your needs with any of these optional accessories.



WIRED THERMOSTAT

Units can be programmed to operate with a wired wall thermostat.

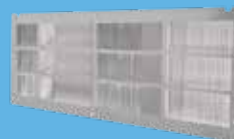


WALL SLEEVE

Installation and storage flexibility provided by two wall sleeve options—standard and foldable.



EXTRUDED ARCHITECTURAL GRILLE

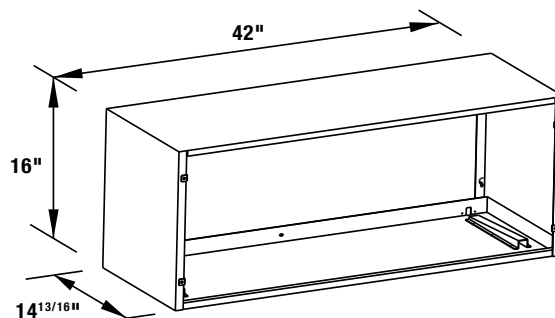
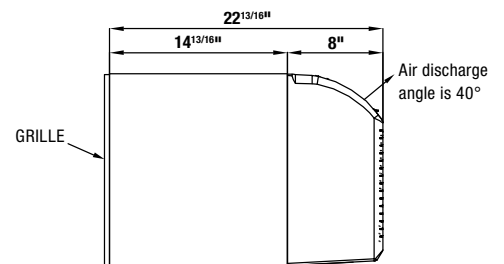
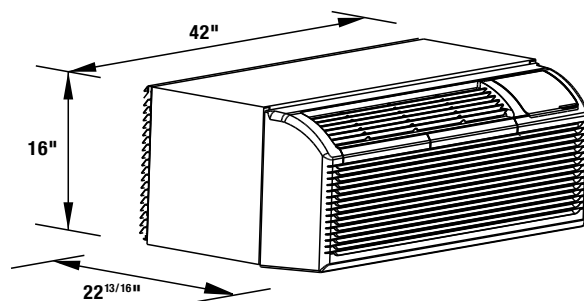


STAMPED ALUMINUM GRILLE



CONDENSATE DRAIN KIT (Included with wall sleeve.)

UNIT DIMENSIONS	
UNIT (WxHxD) (in.)	42 x 16 x 21
UNIT W/SLEEVE (WxHxD) (in.)	42 x 16 x 22 ^{13/16}
UNIT PACKING (WxHxD) (in.)	45 x 19 ^{5/16} x 25 ^{3/8}



5401 Dansher Road
Countryside, IL 60525

866.996.9255
630.323.2301

www.perfectaire.us
support@perfectaire.us

PA/PTACbrochure/01082018